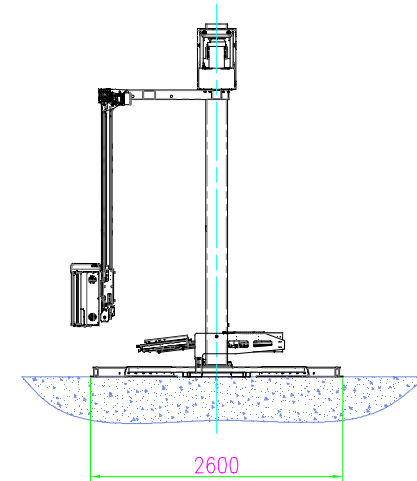
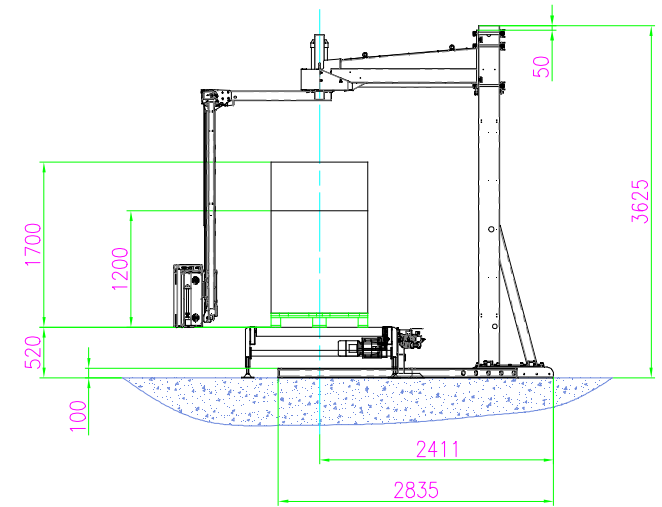
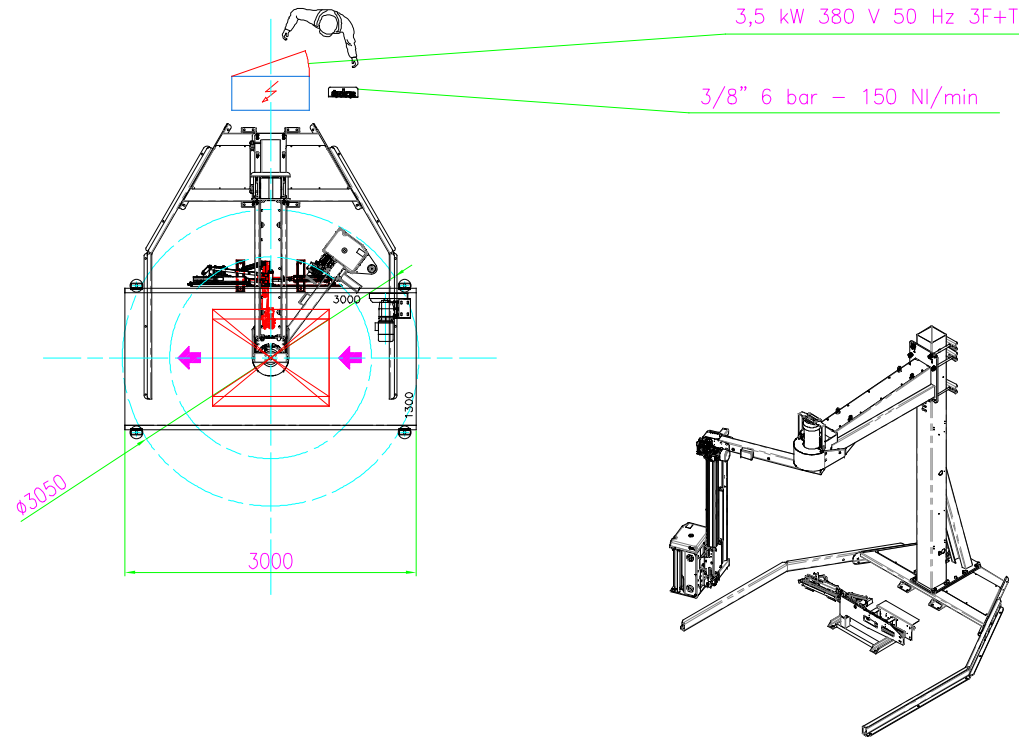


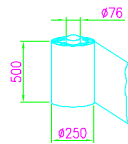
PHOTOELECTRIC BARRIERS SUPPLIED AND MANAGED BY OTHERS.

TO RESPECT CE NORMS:

- DISTANCE FROM ROTATING ARM 900 mm WITH LIGHT BARRIERS 3 VERTICAL BEAMS
- DISTANCE FROM ROTATING ARM 1200 mm WITH LIGHT BARRIERS 2 VERTICAL BEAMS

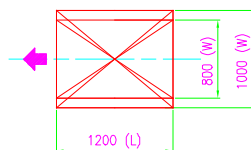


BOBINA FILM / FILM SPOOL



Spessore / Thickness 23-30 µm

LATO AVANZAMENTO  
PALLET FRONT LEADING

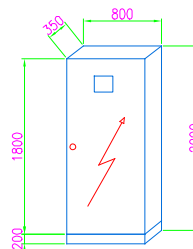


DIMENSIONI PALLET / PALLET DIMENSIONS

PALLET (LxW) 1200 X 1000 / 1200 X 800 mm  
 PRODUCT (LxW) 1200 X 1000 / 1200 X 800 mm  
 ALTEZZA MAX / HEIGHT MAX. (H) 1700 mm  
 ALTEZZA MIN / HEIGHT MIN. (H) 1200 mm

CARATTERISTICHE TECNICHE / MAIN FEATURES  
 POTENZA INSTALLATA / INSTALLED POWER 3,5 kW  
 TENSIONE ALIMENTAZIONE / POWER SUPPLY 380 V 50 Hz 3F+T  
 CONSUMO ARIA / AIR CONSUMPTION 150 NI/min  
 PRESSIONE ESERCIZIO / COMPRESSED AIR RATED PRESSURE 6 Bar

DIMENSIONI QUADRO ELETTRICO  
 CONTROL CABINET DIMENSIONS



N.	DESCRIZIONE MODIFICA / MODIFY DESCRIPTION	DATA - DATE	FIRMA / SIGNATURE
1			
2			
3			

DATA / DATE	DISEGNATORE / DESIGNER A.S.	APPROVATO / APPROVED A.P.	SCALA / SCALE -	
-------------	--------------------------------	------------------------------	--------------------	--

MACCHINA / MACHINE

LYBRA STATION

CLIENTE / CUSTOMER

COMMERCIAL LAYOUT

**ATLANTA**  
 PACKAGING TECHNOLOGY AND MACHINERY

CODICE DISEGNO / DRAWING NUMBER

016\_7990